



SFM-AT350

The SFM-AT350 is compatible with every LPBF-printer on the market.

Compact depowdering unit for powder removal of metal laser-melted parts

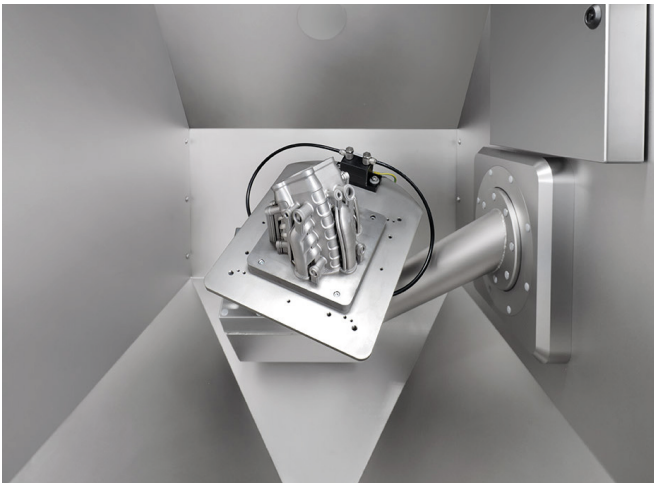
The SFM-AT350 cleans metal laser-melted parts within a sealed process chamber, with targeted vibration and automated two-axis rotation.

Through programmable rotation of the parts, including the build plate in two axes, metal powder is also removed from complex voids and support structures.

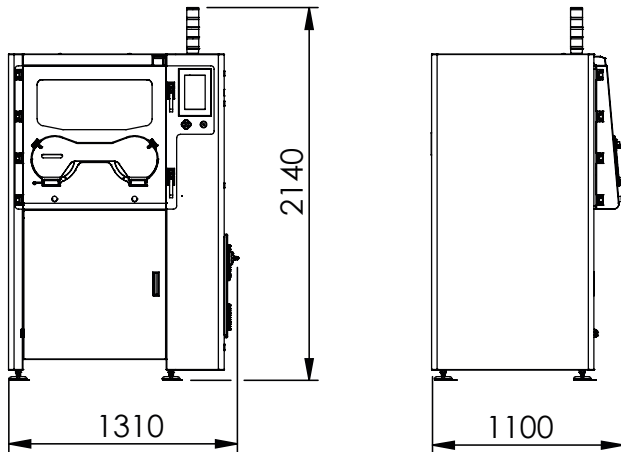
The latest generation of the SFM-AT350 is compatible with the SPR-Pathfinder® Software. The software automatically calculates the ideal

motion sequence for each part, which is then read and executed by the Solukon system so that the powder is removed residual-free.

The depowdering system is based on the unique Solukon Smart Powder Recuperation technology SPR®.



swivel arm with component



SYSTEM SPECIFICATIONS

Installation space (W x D x H)	2.300 x 2.300 x 2.300 mm
Weight	650 kg
Mains voltage / frequency	400 / 50 - 60 V / Hz
Power consumption	1,0 kW
Power supply	16 A

COMPRESSED AIR SPECIFICATIONS

Working pressure	6 bar
Consumption	max. 300 l/min

INERT GAS SPECIFICATIONS*

Working pressure	6 bar
Consumption	2 m ³

* Consumption for an average one-hour cleaning job with aluminum powder.

Part spectrum

- material: aluminum-, steel-, titan- or copper alloy
- weight: up to 100 kg
- dimensions: up to 400 x 400 x 400 mm³
500 x 280 x 400 mm³

Basic features

- automated 2-axis rotation device
- endless rotatable turntable
- pneumatic connections for manual air cleaning tools
- powder lock with special container
- vibration mechanism with wide frequency range

Options

- dust removal for non-reactive materials
- inert gas infusion for reactive materials (ATEX)
- programmable knocker
- SPR-Pathfinder[®] software to calculate the ideal motion sequence
- OPC UA interface
- Digital-Factory-Tool

Advantages

- certified explosion protection
- high degree of protection from harmful dusts
- fast and economic part cleaning
- comfortable part handling
- qualifiable and reproducible cleaning results